

# ORDER BOARD

The Official Newsletter of the  
**CALGARY**  
**MODEL RAILWAY SOCIETY**

The Communication Medium For Railway Enthusiasts

October 1999

## In This Issue

President's Report	Page 2
DCC Hints & Tips	Page 3
Hints & Tips (cont)	Page 4
Upcoming Events	Page 5
Painting Backdrops	Page 6
SUPERTRAIN Update #2	Page 7
Membership Renewal	Page 8
SUPERTEENS Poster	Page 9
Board of Directors (New)	Page 10

### Internet Addresses

CMRS Homepage Address - [members.home.net/acocker/cmrs.html](http://members.home.net/acocker/cmrs.html)

Order Board Newsletter Address - [members.home.net/willie.smith/order.html](http://members.home.net/willie.smith/order.html)

Editor Willie G. Smith  
E-Mail [willie.smith@home.com](mailto:willie.smith@home.com)

## President's Message

Hello all and welcome to another year of modeling. This year your Board is planning a full slate of activities so that we can learn more skills, attend more events, and have fun socializing within the model railroad community. The CMRS board cannot do this alone and we look forward to getting more of you involved to share the fun and camaraderie that comes from working on these activities. We are currently looking for people to coordinate or work on the following events:

1. railfan excursion
2. modeling with the pros
3. layout tours

If you can help in some way please contact a Board member and let them know what you would like to do.

As we failed to complete our slate of Board Members at the Annual General Meeting, we still need an independent member to sit for a two-year term. If you are interested in helping out or if you know someone that we should be talking to, please let us know. We are planning on having an election for this position in the few minutes before Slide Night starts. You will see more on that in this issue in the announcement regarding the special meeting called to happen on slide night.

If you have any concerns or suggestions please call a board member, as we want to do the best job we can for you.

Looking forward to a fun filled active year,

**Rob Mills**

### Special General Meeting

Date: November 10, 1999

Time: 7:00 PM (just before slide night starts)

Location: Bowness High School Theatre 4627 77 St. N.W.

The Board of the CMRS has called a special meeting to consider four pieces of business:

- 1) To vote on the bylaw change to change the bylaws brought forward by Dave Stefanek at the Annual General Meeting. These changes are primarily to deal with the addition of new clubs. Copies of the proposed amendments will be distributed at the meeting.
- 2) To vote on the bylaw change brought forward by Irv Jalving about the Rocky Mountain Garden Railway Club. It reads "The Rocky Mtn. Garden RR. Club request that the CMRS give them a permanent seat as of the 2000/2001 operating year."
- 3) To vote on the bylaw change brought forward by the Board of the CMRS to "Reduce the membership price to half the current yearly rate as of the Supertrain show weekend". This is intended to let new members join when half the year has gone by and a number of the free events have already been held.
- 4) To elect an independant board member to sit for a 2 year term.

This meeting is scheduled for 30 minutes starting at 19:00 (7:00 PM). All people wanting to discuss these proposals will be given one minute and no more so we can keep the continuity of the meeting flowing.

# DCC Hints & Tips

By Barry Conn

The first tip is how to build a simple decoder tester.

This will be the first of regular columns on the subject of DCC. I will pass on hints, tips, and will try to answer any questions that you may have, so please email or send in your questions.

All manufacturers strongly suggest that you test your decoder before you attempt to install it in your locomotive. This is not because they send out defective decoders, but is instead intended to let you know that it was working before you installed it. If for some reason after the installation, the loco does not run, you can now be sure that it was a problem with your hookup, not the decoder, and you can simplify your troubleshooting. The problem is how to make this easy and quick so you will actually do it.

The solution is simple and quite cheap. Build a decoder tester from parts found in your junk box, Radio Shack, garage sales, etc. Here is a list of the parts used for my tester:

- 1 bi color (red/green) LED. (Radio Shack 276-012 or similar) Do not substitute a regular bulb, or use a non-resistor LED. Note early Digitrax sets had this LED included with the set.
- 2 12-volt grain of wheat headlight bulbs (get bulbs with less than 50 ma current ratings)
- 9 small alligator clips (or the old spring clips from Radio Shack electronic kits -look in garage sales)
- 1 resistor 120 ohm 2 watt (brown-red-brown bands) Radio Shack 271-135. Included in Digitrax sets
- 1 resistor 1 kohm ¼ watt (brown-black-red bands) Radio Shack 271-1321. Only required if not using the Digitrax LED.
- 1 Digitrax decoder wire harness (use a spare one from an old decoder)
- 1 mounting board (approx 9 in x 4 in) any piece of scrap will do

A. Mount the 9 alligator (or spring) clips across the bottom of the board (space them about ¾ in apart, and have them in a row about 1 in from the bottom of the board))

B. Label them (starting at the left) as Track A, Track B, Black, Red, Orange, Gray, White, Yellow, Blue

C. Solder the appropriately colored wires from the decoder harness to the labeled color clips. The extra wires from the harness (green, violet, brown) are for additional decoder functions. As most inexpensive decoders don't have these functions, I have omitted these connections. If you wish to use them, just add additional clips and bulbs.

D. Solder the 120 ohm 2 watt resistor between Track A and the Red clip (this resistor limits the current to the decoder when testing so you can't blow it)

E. Solder a wire between Track B and the Black clip

F. Solder the 1 kohm resistor to the long lead of the LED and the other end of the resistor to the Orange clip. (Note, if you are using the Digitrax supplied LED it already has the resistor installed inside the shrink wrap. In this case connect the red wire from this to the orange clip.

G. Solder the short lead of the LED to the Gray clip. This LED is connected to the motor outputs of the decoder and will glow green if forward, and red if reverse. (If using the Digitrax LED solder the black wire to the Gray clip)

H. Solder one lead of each bulb to the Blue clip

I. Solder one bulb lead to the White clip and label it "forward" light. Solder the other bulb lead to the Yellow clip and label it "reverse" light.

(Continued on Page 4)

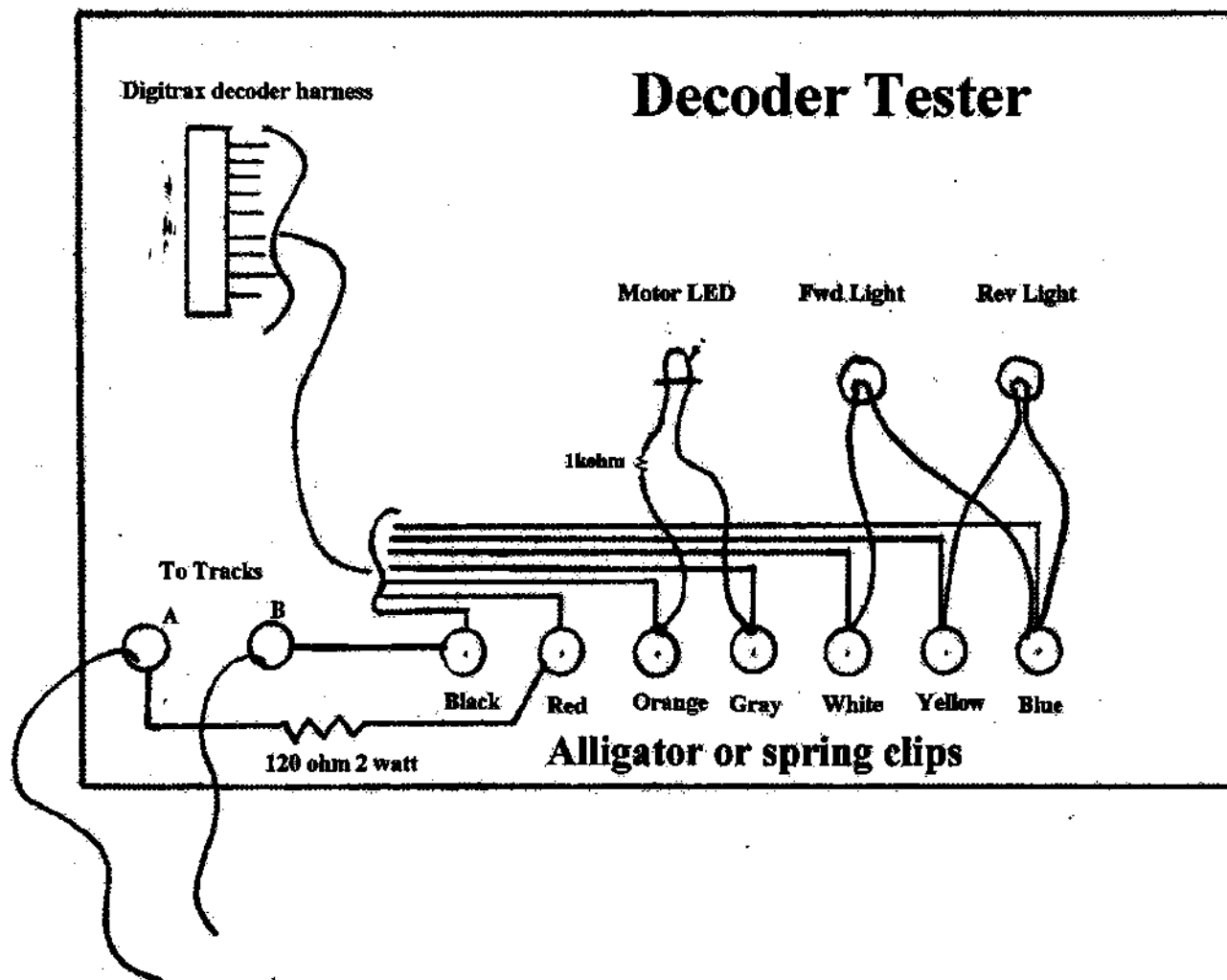
## DCC Hints & Tips

(Continued from page 3)

Now you can test your decoders. You can either plug the decoder into the harness (if it has a Digitrax compatible socket), or you can connect the bare wires up to the clips. Now just connect the Track A and Track B wires to your track, dial in the decoder number (default is 03) and turn up the throttle. If all is fine, the LED will turn green in the forward direction, red in reverse. Turn on the headlights and the appropriate bulb should light.

The picture shows my simple quick and dirty tester.  
On this sample my Track A and Track B clips are on the left hand side of the board.  
The two leads are for clipping onto the track.

Barry Conn



# Calgary Model Railway Society

## Model Railroad Events Schedule

Watch this space for schedule additions/changes

**Updated October 4, 1999**

- October 16            South bank Short Lines – 20th Boomer Auction  
St Andrews Presbyterian Church – Heritage Dr SW  
Setup 0900 - Viewing 1100 – 1300 – Auction 1300  
Contact Al Peirce - 278-6786
- October 30            CMRS Mini Meet – Seminars/Displays & Sales  
Hillhurst Sunnyside Community Hall  
1320 – 5 Ave NW  
9:00 AM – 5:00 PM (details in attached flyer)  
Co-Ordinator Marshall Ouellet – 289-4430
- November 6           Free Model Railroad Clinic (details page 6)  
R/C Hanger 6808 Ogden Rd SE
- November 7           Backdrop Painting Course  
10:00 AM – 3:00 PM  
Contact Willie Smith (Leave Message) at 247-9946  
Details page 6
- November 10           CMRS Slide Night (railfan prototype photos)  
Bowness High School Theatre  
Doors open 6:30PM, meeting starts 7:00 PM, Slides start 7:30 PM  
4627 – 77 St NW  
Contact Tom Newton 243-4125  
Details in Attached Flyer
- February 19,20        CMRS SUPERTRAIN 2000, Model Railroad Exhibition and Sale  
Big 4 Building – Stampede Grounds  
Chairman Al Peirce – 278-6786

Memberships are available in the Calgary Model Railway Society

Annual Fees \$10:00

Contact Vince Wehnes – 236-7986

E-Mail [ironhorse@cadvision.com](mailto:ironhorse@cadvision.com)

## Painting Model Backdrops

At this time we have secured the services of professional artist Nancy lynne Hughes, to conduct a one day course on the basics of painting a backdrop for your model railroads. Nancy is a very accomplished and popular instructor in the Calgary area. You may view some of her work and her art class information on the internet at <http://members.home.net/nlhughes>

The course will be held on Sunday November 7, 1999 from 10:00 AM – 3:00 PM at Swinton's Art Supplies, 7160 Fisher St SE. A small map is printed below.

This course will take you through the steps required to complete a panoramic type of backdrop with a view to extending the apparent depth of your layout. All materials will be supplied, including paint and brushes as well as pieces of masonite and drywall for you to practice on. Many layouts will include both types of these materials around the room.

You will learn techniques for wall preparation, 'sky blue' painting, and depth of the clouds. You will be shown ways of producing desert, forest and mountain scenery, depending on your era and setting. You will learn how to paint your scenery to tie into the foreground in relation to the scale of your railroad.

The cost of this course will be \$35.00 per person. Registration and payment **MUST** be received no later than **NOVEMBER 01, 1999**, in order to guarantee a seat. This will facilitate purchasing the materials.

Make cheques payable to and mail to

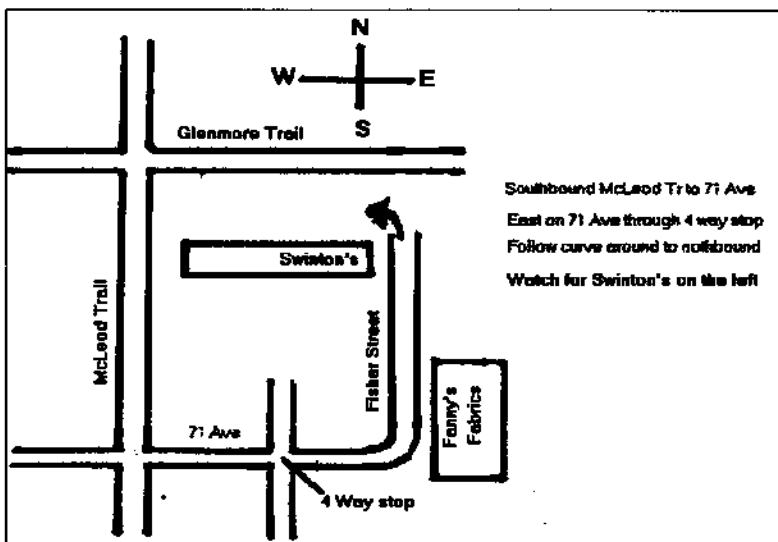
**Nancy lynne Hughes**  
4632 – 29 Ave N.W.  
Calgary, Alta. T3B-0J2

**We will accept the first 12 paid entries.**

and depending on interest generated, we will run another course.

You may register your interest at 247-9946 (leave a message including phone number)  
or E-Mail [willie.smith@home.com](mailto:willie.smith@home.com).

An advanced course in detailing and perspective may be offered in the spring.



## Free Model Railroad Clinic

The R/C Hangar (6808 Ogden Road SE, Calgary) is having a free model railroad clinic on Saturday, November 6 from 1:30 to 4:30 p.m. Bring your locomotives, rolling stock, and power packs for testing, cleaning and repairs. (Some charges may apply for parts.)

## "SUPERTRAIN 2000" UPDATE #2

**COMMITTEE:** Your "*SUPERTRAIN 2000*" committee this year is:

Supertrain '99 Committee -	Allan Peirce - Chair
Admission & Financial -	Maurice Despins - Chair
Concession & Guest Relations -	Alan Pile - Chair
Facilities & Operations -	Glen Judd - Chair
Marketing & Promotions -	Bill Kerr - Chair

**LOCATION & DATE:** *SUPERTRAIN 2000* will be held in the lower level of the **Big 4 Building** at Stampede Park on Saturday and Sunday, **February 19 & 20**, which is the "Family Day" long weekend this year. The doors will open to the public at 0900 hrs and will close at 1700 hrs both days. Mark it on your calendar!

**MARKETING & PROMOTION:** Your committee is pleased to report that Bill Kerr has agreed to act as Chair of the Marketing & Promotions Sub-Committee. Your Committee is confident that Bill will provide strong leadership to this important function.

Secondly, we would like to correct a fact that was not clearly stated in our last report. Although Byron Ellett has stepped down as Chair, he remains a member of the Sub-committee and will be assisting Bill in the promotion of *SUPERTRAIN 2000*.

**EXHIBITS:** As indicated in our last report, this year we would like to have more exhibits of layouts built by and for teen, or pre-teen model railroaders to show our younger visitors that they too can get involved in this great hobby. To date we have not had anyone from this agegroup contact us to enquire about exhibiting at *SUPERTRAIN 2000*. We would therefore again request that anyone who has or knows of a portable or semi portable layout built by a teenager or pre-teenager who would like to, or be induced to, display it at the show please contact me at the numbers listed below.

In addition to teenage built displays, we are still actively seeking new exhibitors with model railroad related displays or layouts. Please call me.

Allan Peirce - Chairman "*SUPERTRAIN '99*"

Phone 278-6786  
 Message/Fax 278-9644  
 e-mail peircea@cadvision.com

### Pacific Western Rail Systems

Canadian Address: 16015 - 10 Ave., Surrey, B.C. Canada V4A-2J4  
 American Address: p/o Box 8110-368 - 250 'H' Street  
 Blaine, Washington 98230

Tel: (604) 531-9481 Fax: (604) 535-7691  
 E-Mail [info@pwrs.pwcom.com](mailto:info@pwrs.pwcom.com)  
 Web Site <http://www.pwrs.pwcom.com>  
 offering 6 pack, Special Run, sets of Canadian Grain Cars.



E-mail [dispatcher@home.com](mailto:dispatcher@home.com)

### The DISPATCHER

Specializing in Digital Command Control

**BARRY CONN**

discount prices on:

(403) 251-9334	Digitrax	Atlas
213 Oakchurch Bay SW	Roco	Kato
Calgary, AB T2V 4B6	Soundtraxx	Proto 2000
Web page: <a href="http://members.home.net/dispatcher">http://members.home.net/dispatcher</a>		

# CURRENT MEMBERSHIPS HAVE EXPIRED

Please renew your memberships to ensure you continue to receive all the Society benefits.  
Hand this form to a friend and have them join the Society too.

## Calgary Model Railway Society Membership Form

Membership Fee is \$10.00, make cheques payable to C.M.R.S.

NAME \_\_\_\_\_

ADDRESS \_\_\_\_\_

CITY \_\_\_\_\_ PROVINCE \_\_\_\_\_ POSTAL CODE \_\_\_\_\_

PHONE NUMBER \_\_\_\_\_ RAILWAY CLUB(S) \_\_\_\_\_

\*\*\*\*\* E-Mail \_\_\_\_\_ \*\*\*\*\*

**NOTE:** We can save a substantial amount of funds (postage and copying costs) if you are able to read your copy of the newsletter "The OrderBoard" on the newsletter website. Please indicate your preference below by putting an X in either spot.

I will read the OrderBoard on the web and do not need a copy mailed to me \_\_\_\_\_

I would like my copy mailed to me instead of reading it on the web \_\_\_\_\_

**Are you willing to help out at Society functions Y/N** \_\_\_\_\_

if yes, are there any preferred areas? Mini Meet ( ), Slide Night ( ), Supertrain ( ),

Social events ( ), Layout Tours ( ), Clinics ( ), Committees ( ),

Other areas (list) \_\_\_\_\_

### INFORMATION FOR C.M.R.S. DIRECTORY

Keep same information as last year Y/N \_\_\_\_\_

Do you wish your Phone Number Published Y/N \_\_\_\_\_

Do you wish your Address be Published Y/N \_\_\_\_\_

**Please fill in the following if you wish information to appear in the Directory**

Either circle or Add your own interests.

<u>SCALE</u>	<u>ERA / LOCALE</u>	<u>SPECIAL INTEREST</u>
N	OLD TYME	LOGGING
HO	STEAM	CP/CN
O	DIESEL	KITBASHING
GARDEN	N/AMERICAN	RAIL PHOTOS
S	EUROPEAN	MODERN DIESEL

**Return to:**

**C.M.R.S. Membership**

**P.O. Box 63033**

**2604 - Kensington Rd. NW**

**Calgary, AB T2N 4S5**



# WANTED

TEEN'S & PRE-TEEN'S MODEL RAILROADS  
FOR THE  
CALGARY MODEL RAILWAY SOCIETY'S  
ANNUAL MODEL RAILROAD SHOW

## ***SUPERTRAIN 2000***

to be held this year on  
Saturday Feb. 19 & Sunday Feb. 20, 2000  
from 9:00 am to 5:00 pm, both days  
in the  
BIG 4 BUILDING (Lower Level)  
Stampede Grounds, Calgary, Alberta

If you are a teen or a pre-teen and have a model railroad  
that you would like to display at the show next February, contact:

**Glen Judd      252-4367**

or

**Marshall Ouellet 289-4430**

**Note: we are always seeking new displays from all age groups and skill levels**

### **FOR SALE**

4' x 8' x 5/8" sheets Korelite (like homasote)  
This material is ideal for model railroad roadbeds, etc.  
Call Doug Myette at 254-6454  
(evenings) or email [dmyette@spednet.com](mailto:dmyette@spednet.com)

# BOARD of DIRECTORS - Positions and Responsibilities

Phone Numbers H - Home B - Business F - Fax

**President - Rob Mills**  
Independent 936-2093  
E-Mail [millsrs@cadvision.com](mailto:millsrs@cadvision.com)

**Vice President - Position Vacant**

**Secretary/Treasurer - Dave Stefanek**  
Cantrak - 250-6683

**Membership- Vince Wehnes**  
Thursday Night Group 236-7986  
E-Mail [ironhorse@cadvision.com](mailto:ironhorse@cadvision.com)

**Supertrain- Barry Conn**  
Independent 251-9334  
E-Mail [barry.conn@home.com](mailto:barry.conn@home.com)

**Special Events - Peter Moon**  
Cal-O-Rail 288-3754  
E-Mail [moonpr@cadvision.com](mailto:moonpr@cadvision.com)

**Events- Bill Cameron**  
Independent 269-9898  
E-Mail [wcameron@efasoftware.ab.ca](mailto:wcameron@efasoftware.ab.ca)

**Publicity/Order Board - Peter Berghs**  
CMT 234-0165  
E-Mail [pberghs@home.com](mailto:pberghs@home.com)

**General Events - Don McLeod**  
Bow Valley 284-1498

*Individual Directors have separate responsibilities.  
Please contact the appropriate Director for  
information on the Area you want to know about.*

For Commercial Advertisers, please contact the  
Publicity/OrderBoard Director for rates and approval prior to submitting Ads to the Editor.

## The Order Board

### Mailing Address

Calgary Model Railway Society  
Box 63033, 2604 Kensington Road N.W.  
Calgary, AB T2N 4S5

### Web Pages

CMRS Homepage Address: <http://members.home.net/acocker/cmrs.html>  
Order Board Newsletter Address: <http://members.home.net/willie.smith/order.html>

### Classified Advertising

Do you have some model railroad related items you would like to sell. If so, consider putting an ad in the Order Board. Ads will be free for members (assuming they are small and don't take more than a few inches of space). Commercial ads (business card size) are also accepted for a setup fee of \$10.00. A good selection of Computer Clip Art (Railroad Related) is available to spice up your Ad.

E-Mail [willie.smith@home.com](mailto:willie.smith@home.com)